

4

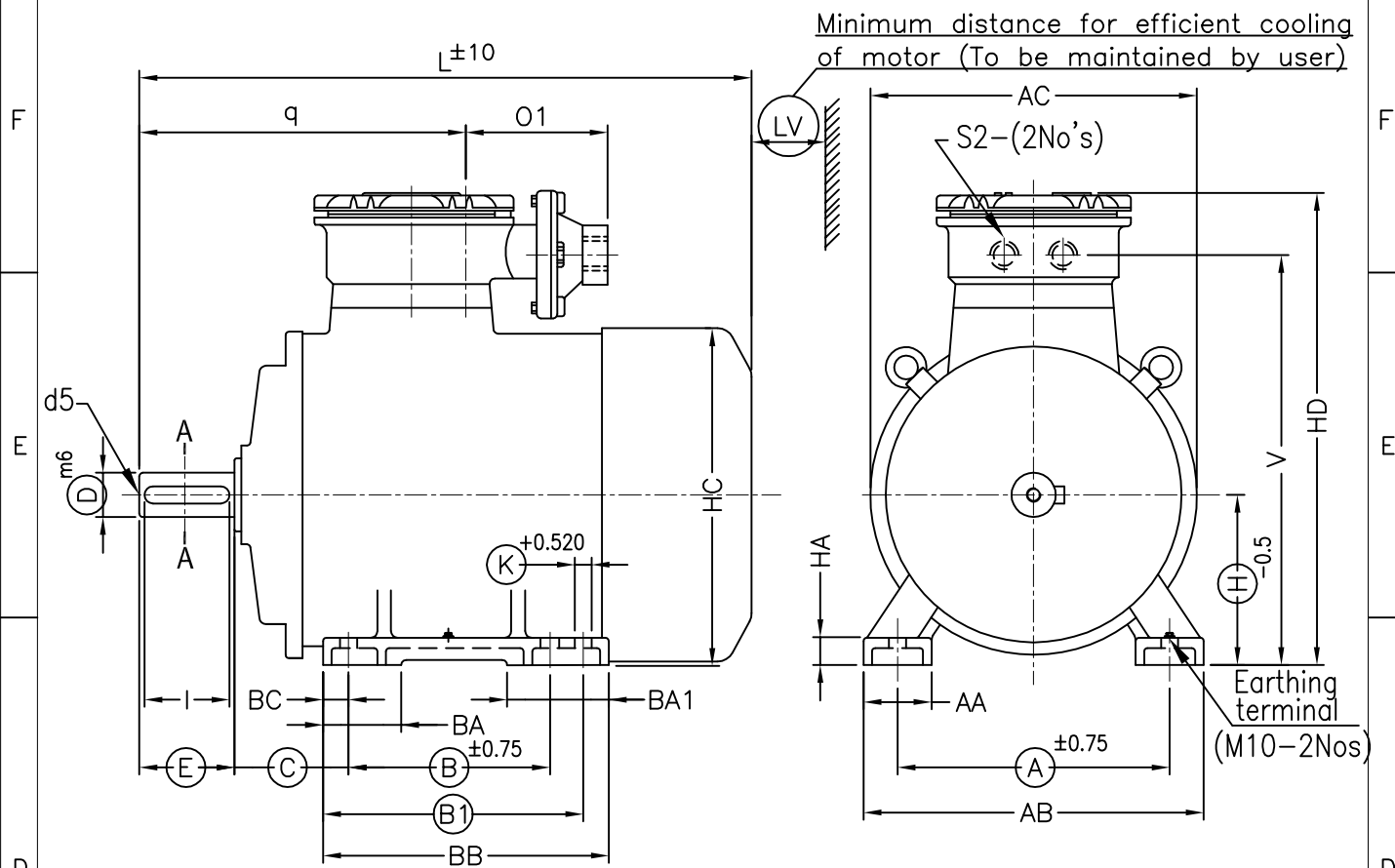
3

2

1

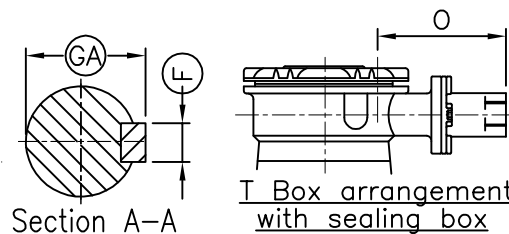
ALL DIMENSIONS ARE IN MM UNLESS OTHERWISE SPECIFIED

SCALE - N.T.S.



IEC Frame	Pole	Fixing							General										
		A	B	B1	C	H	K	AB	BB	AA	BA	BC	BA1	HA	HC	HD	L	LV	AC
200L	2	318	305	-	133	200	19	398	355	85	85	28	-	32	397	556	805	80	394

T Box				Shaft						
V	O	O1	q	S2	D	E	F	GA	I	d5
488	237	133	395	M40x1.5P	55	110	16	59	100	M20



Notes:-

- 1) Ringed dimensions are as per IS:1231/IEC60072
- 2) Terminal box can be rotated in 360 deg in steps of 90 deg.

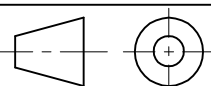
Customer		Project	
P.O. No.		Consultant	
kW/Pole		Client/Contractor	
Frame		Package	
SO No.		Tag no's	

NAME	DATE	TITLE:
DRN	YCJ	07.04.2015
CHD		
APPD		

DIMENSION DRAWING

3PH SQUIRREL CAGE, TEFC (FOOT MOUNTED) FLAME PROOF(Ex'd) INDUCTION MOTOR

Bharat Bijlee
AIROLI, NAVI MUMBAI



DRG. No:

D20L231TC

4

3

2

1