

4

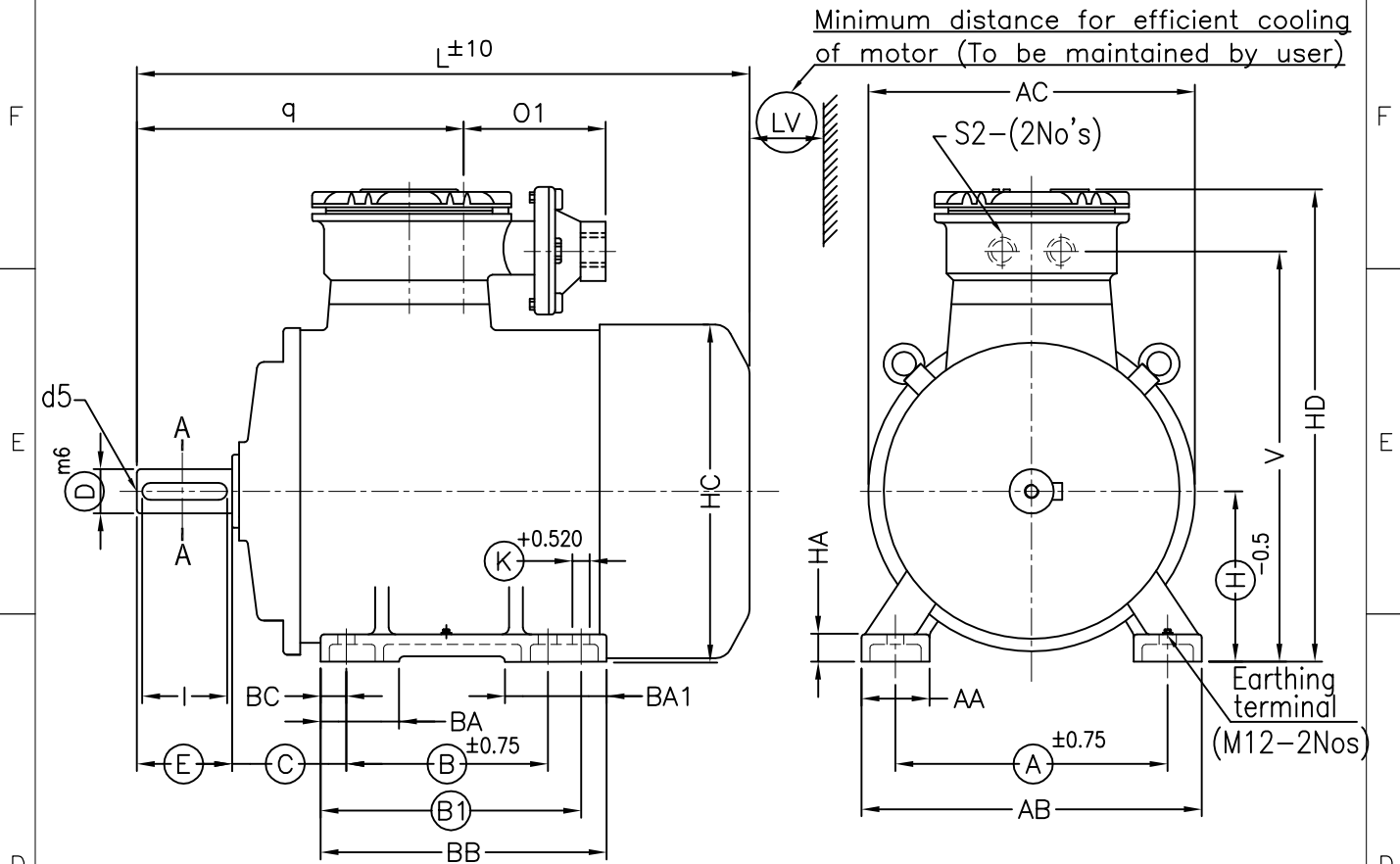
3

2

1

ALL DIMENSIONS ARE IN MM UNLESS OTHERWISE SPECIFIED

SCALE - N.T.S.

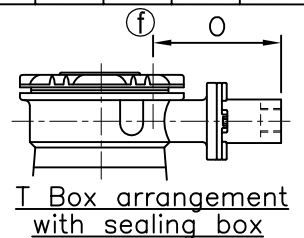
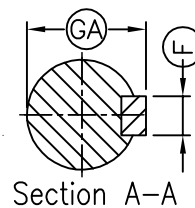


Fixing

General

IEC Frame	Pole	A	B	B1	C	H	K	AB	BB	AA	BA	BC	BA1	HA	HC	HD	L	LV	AC
225M	4	356	286	311	149	225	19	436	361	85	85	28	110	34	447	651	836	90	444
	6																		

T Box				Shaft						
V	O	O1	q	S2	D	E	F	GA	I	d5
564	308	264	444	M50x1.5P	60	140	18	64	130	M20



Notes:-

- 1) Ringed dimensions are as per IS:1231/IEC60072
- 2) Terminal box can be rotated in 360 deg in steps of 90 deg.

Customer		Project	
P.O. No.		Consultant	
kW/Pole		Client/Contractor	
Frame		Package	
SO No.		Tag no's	

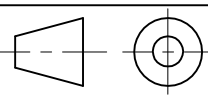
Ⓜ Revised for length--dnb--25.01.17

NAME	DATE	TITLE:
DRN	YCJ	07.04.2015
CHD		
APPD		

DIMENSION DRAWING

3PH SQUIRREL CAGE, TEFC (FOOT MOUNTED) FLAME PROOF(Ex'd') INDUCTION MOTOR

Bharat Bijlee
AIROLI, NAVI MUMBAI



DRG. No:

D22M431TC Ⓜ

4

3

2

1