

4

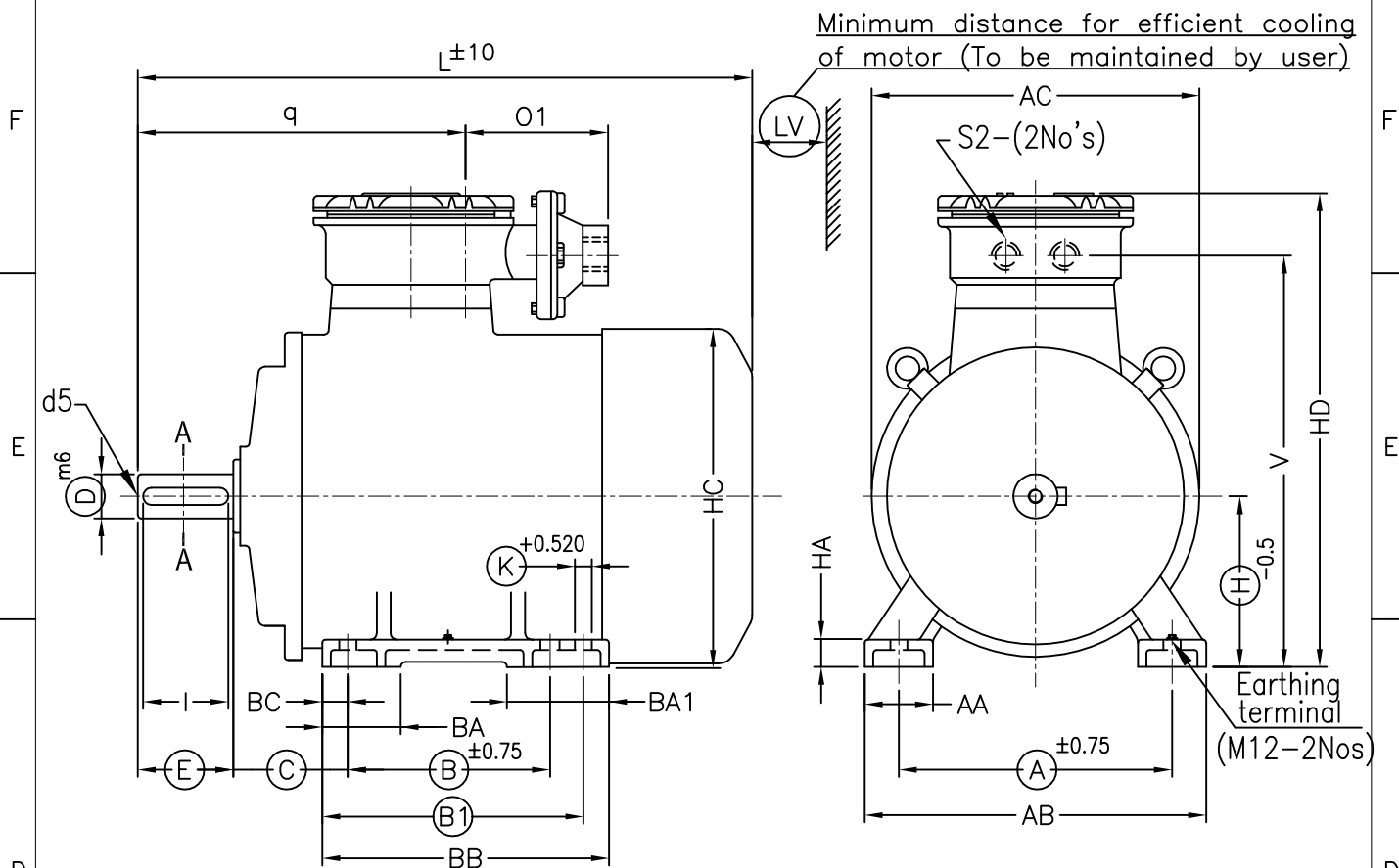
3

2

1

ALL DIMENSIONS ARE IN MM UNLESS OTHERWISE SPECIFIED

SCALE - N.T.S.



Fixing

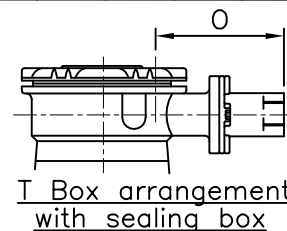
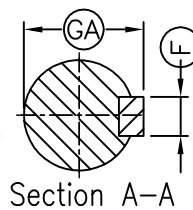
General

IEC Frame	Pole	A	B	B1	C	H	K	AB	BB	AA	BA	BC	BA1	HA	HC	HD	L	LV	AC
225M	2	356	286	311	149	225	19	436	361	85	85	28	110	34	447	651	799	90	444

T Box

Shaft

V	O	O1	q	S2	D	E	F	GA	I	d5
564	308	264	414	M50x1.5P	55	110	16	59	100	M20



Notes:-

- 1) Ringed dimensions are as per IS:1231/IEC60072
- 2) Terminal box can be rotated in 360 deg in steps of 90 deg.

Customer

P.O. No.

kW/Pole

Frame

SO No.

Project

Consultant

Client/Contractor

Package

Tag no's

NAME

DATE

TITLE:

DIMENSION DRAWING

DRN

YCJ

07.04.2015

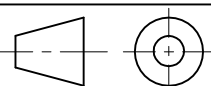
CHD

APPD

3PH SQUIRREL CAGE, TEFC (FOOT MOUNTED) FLAME PROOF(Ex'd') INDUCTION MOTOR



Bharat Bijlee
AIROLI, NAVI MUMBAI



DRG. No:

D22M232TC

4

3

2

1