

4

3

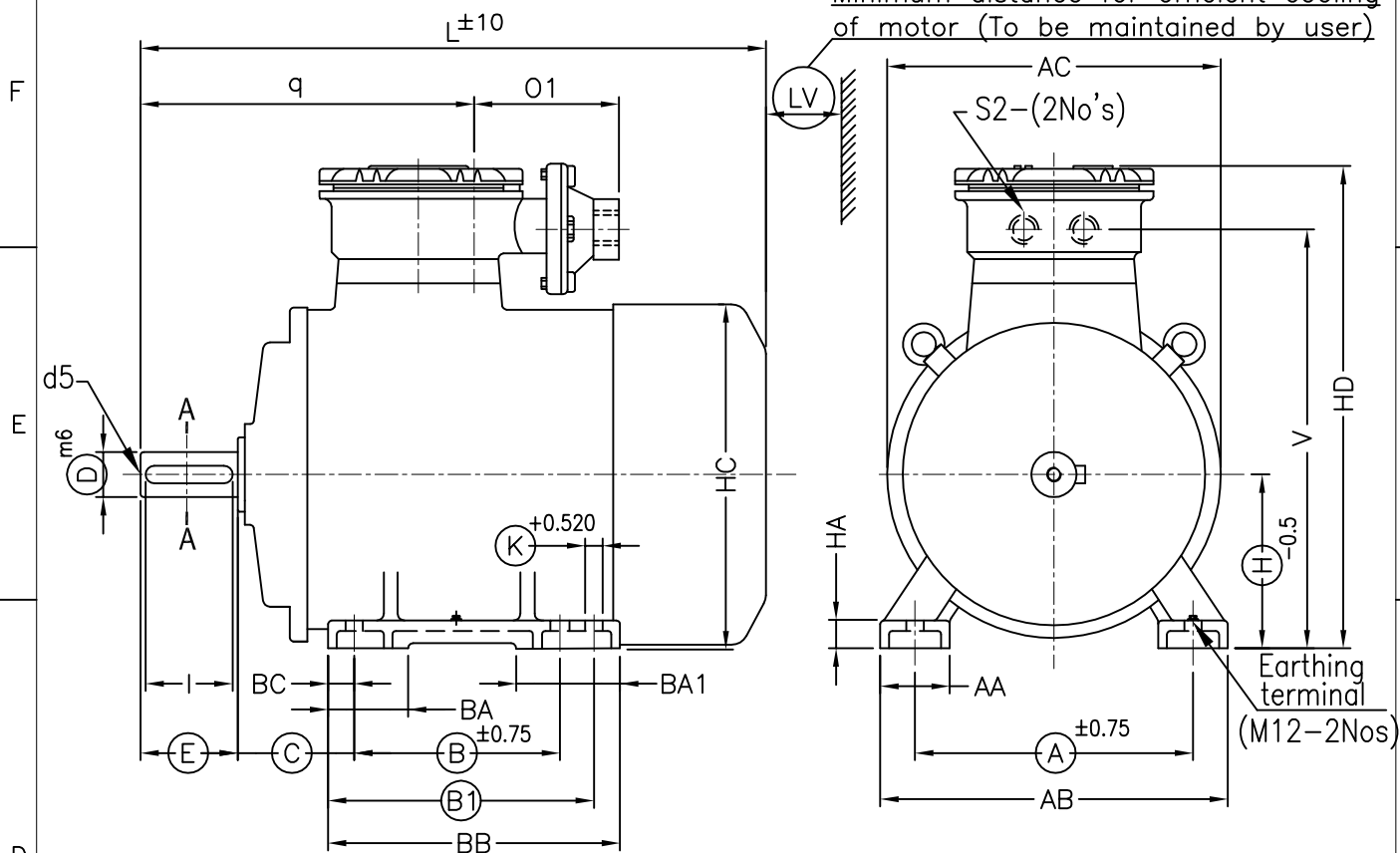
2

1

ALL DIMENSIONS ARE IN MM UNLESS OTHERWISE SPECIFIED

SCALE - N.T.S.

Minimum distance for efficient cooling of motor (To be maintained by user)



Fixing

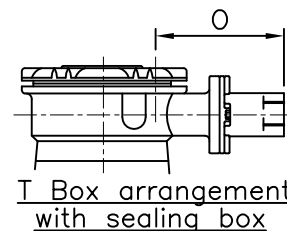
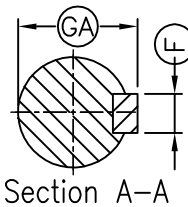
General

IEC Frame	Pole	A	B	B1	C	H	K	AB	BB	AA	BA	BC	BA1	HA	HC	HD	L	LV	AC
250M	2	406	349	-	168	250	24	506	425	100	115	49	-	42	495	688	915	100	489

T Box

Shaft

V	O	O1	q	S2	D	E	F	GA	I	d5
601	287	242	474	M50x1.5P	60	140	18	64	130	M20



Notes:-

- 1) Ringed dimensions are as per IS:1231/IEC60072
- 2) Terminal box can be rotated in 360 deg in steps of 90 deg.

Customer		Project	
P.O. No.		Consultant	
kW/Pole		Client/Contractor	
Frame		Package	
SO No.		Tag no's	

A

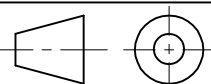
A

	NAME	DATE
DRN	YCJ	07.04.2015
CHD		
APPD		

TITLE:

DIMENSION DRAWING

3PH SQUIRREL CAGE, TEFC (FOOT MOUNTED) FLAME PROOF(Ex'd') INDUCTION MOTOR



DRG. No:

D25M232TC

4

3

2

1